



Electronic Service Manuals

This electronic document is provided as a service to our customers. We do not create the contents of the information contained in this document. Should you have detailed questions pertaining to the information contained in this document, you may contact Michco, or the manufacturer which provided the original information in this electronic deliverable. Michco's only part in this electronic deliverable was the electronic assembly process.

You may contact Michco through the following methods:
Phone (517) 484-9312 or (800) 331-3339 MI, OH, IN only
2011 N. High St. -- Lansing, Michigan -- 48906
Fax: (517) 484-9836
Email: CustServ@Michco.com
Web site: www.Michco.Com
Parts Web site: www.FloorMachineParts.Com

Order Parts on Line at:
www.FloorMachineParts.Com

Directly to Parts & Service:
By Email: **Shop@Michco.com**
By Fax: (517) 702-2041
By Voice: Use numbers above.

Serving the Cleaning Industry Since 1922

Notice: All copyrighted material remains property of original owners, all trademarks are property of respective owners. Manuals are subject to Manufacturer's reproduction limitations. Originals or reproductions were provided by manufacturers through a request. We make no warranty as to the correctness of information provided in this document and you assume all risk.

MOBILMATIC

MODEL MB17, MB17-5, MB20, MB20-5

THIS PARTS LIST IS FOR MACHINES
AFTER SERIAL NUMBER 064 774

PARTS LIST



ADVANCE
MACHINE COMPANY

INTERNATIONAL HEADQUARTERS, Spring Park, Minnesota 55384-0275

EUROPE, 4 Rue Jean Engling, L-1466 Luxembourg

CANADA, 1295 Crestlawn Drive, Mississauga, Ontario L4W 1A9

© 1985 Advance Machine Co.

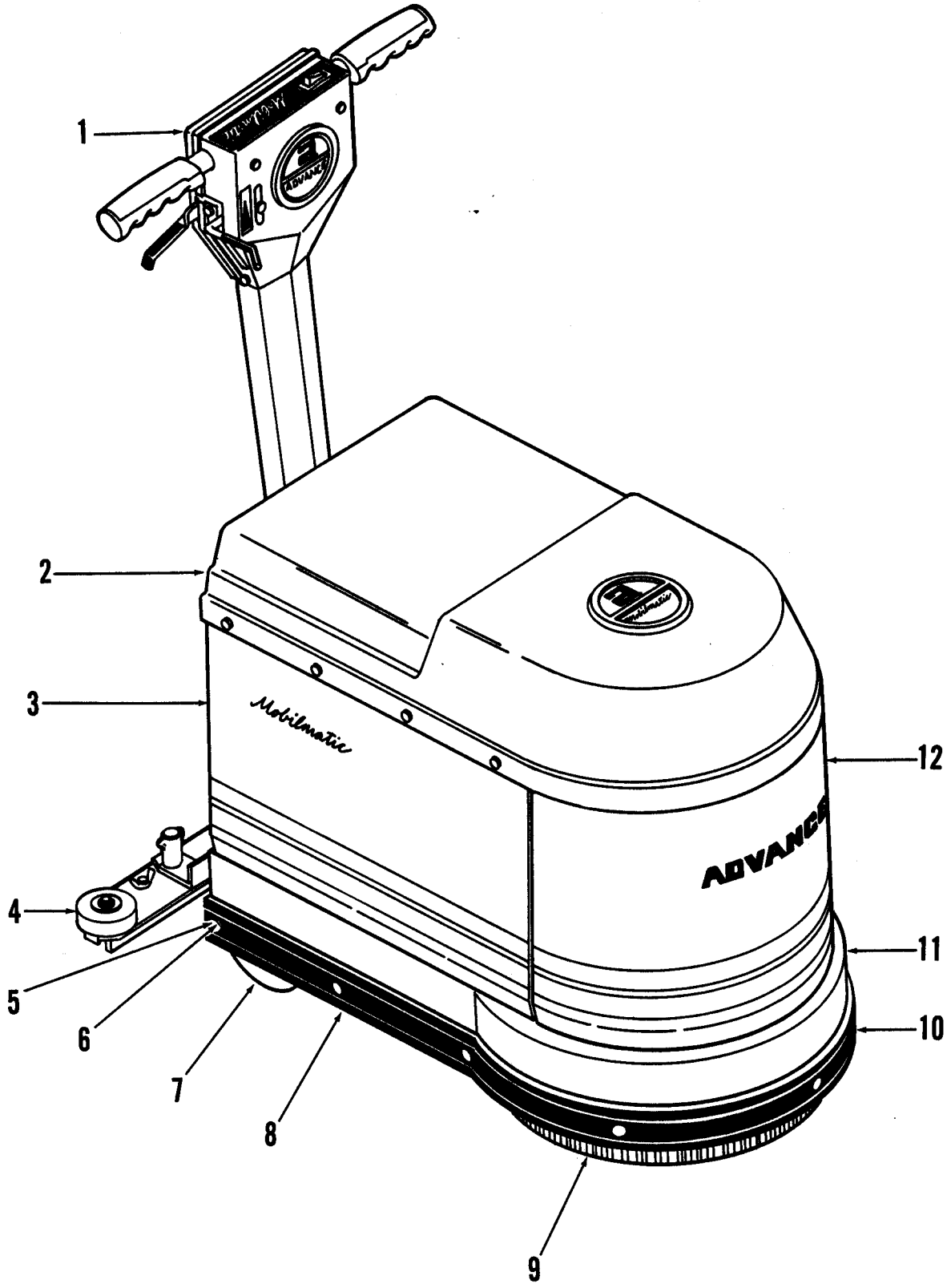
FORM NO. 042 134

7/85



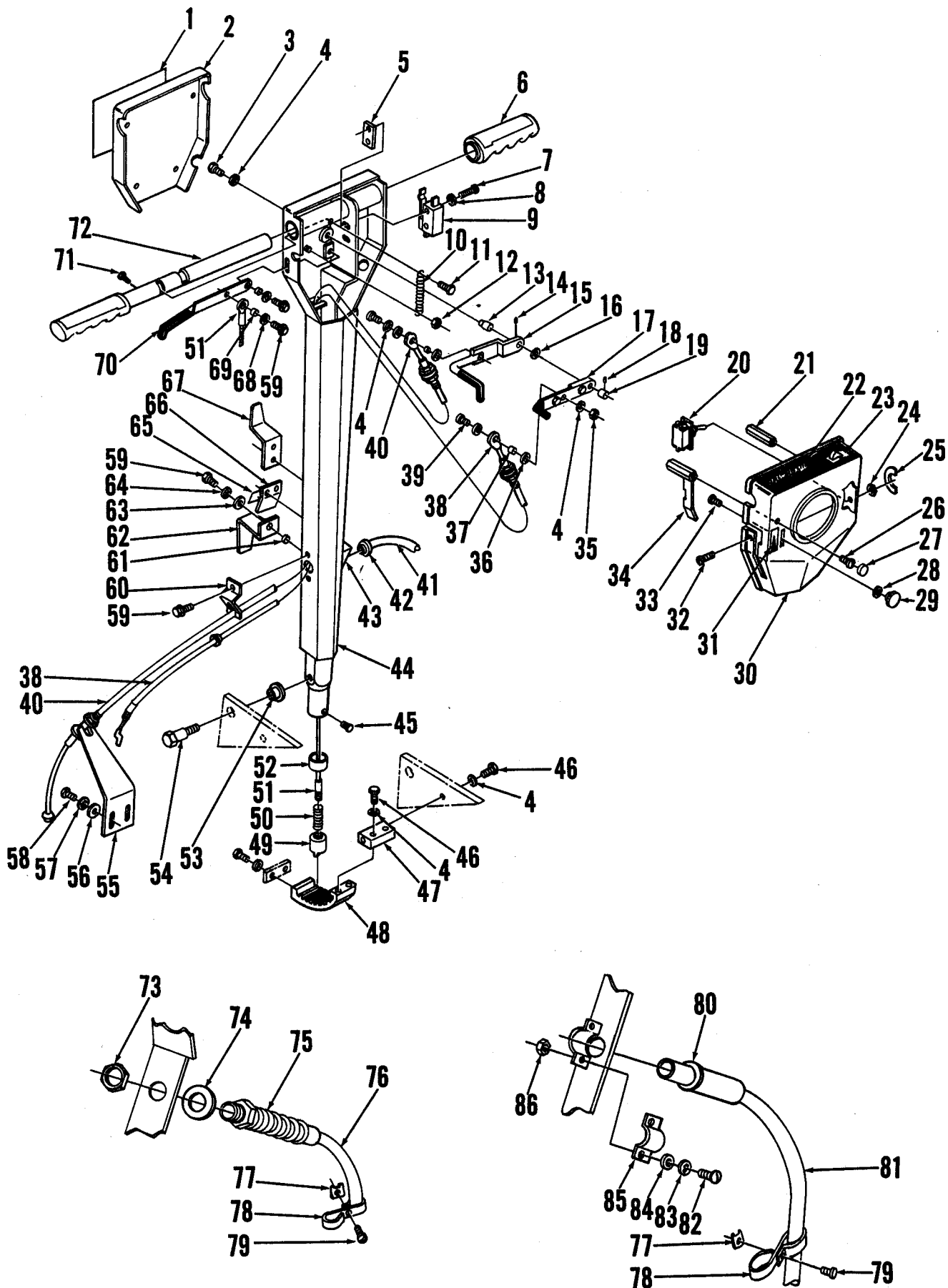
INDEX FOR FORM NUMBER 042134

<u>Description</u>	<u>Location</u>	<u>Page</u>
Brush Drive	B7	11
Cover	B5	9
Handle	A12	3
Outer Body	A10	1
Solution Valve	B13	17
Squeegee	B14	18
Tanks	B3	7
Vacuum Motor & Housing	B1	5
Vacuum Motor (internal parts)	B11	15
Wheels & Adjustment Linkage	B9	13
Wiring Diagram 240V	C2	20
Wiring Diagram, 17 - 115V	C1	19
Wiring Diagram, 20 - 115V	C3	21



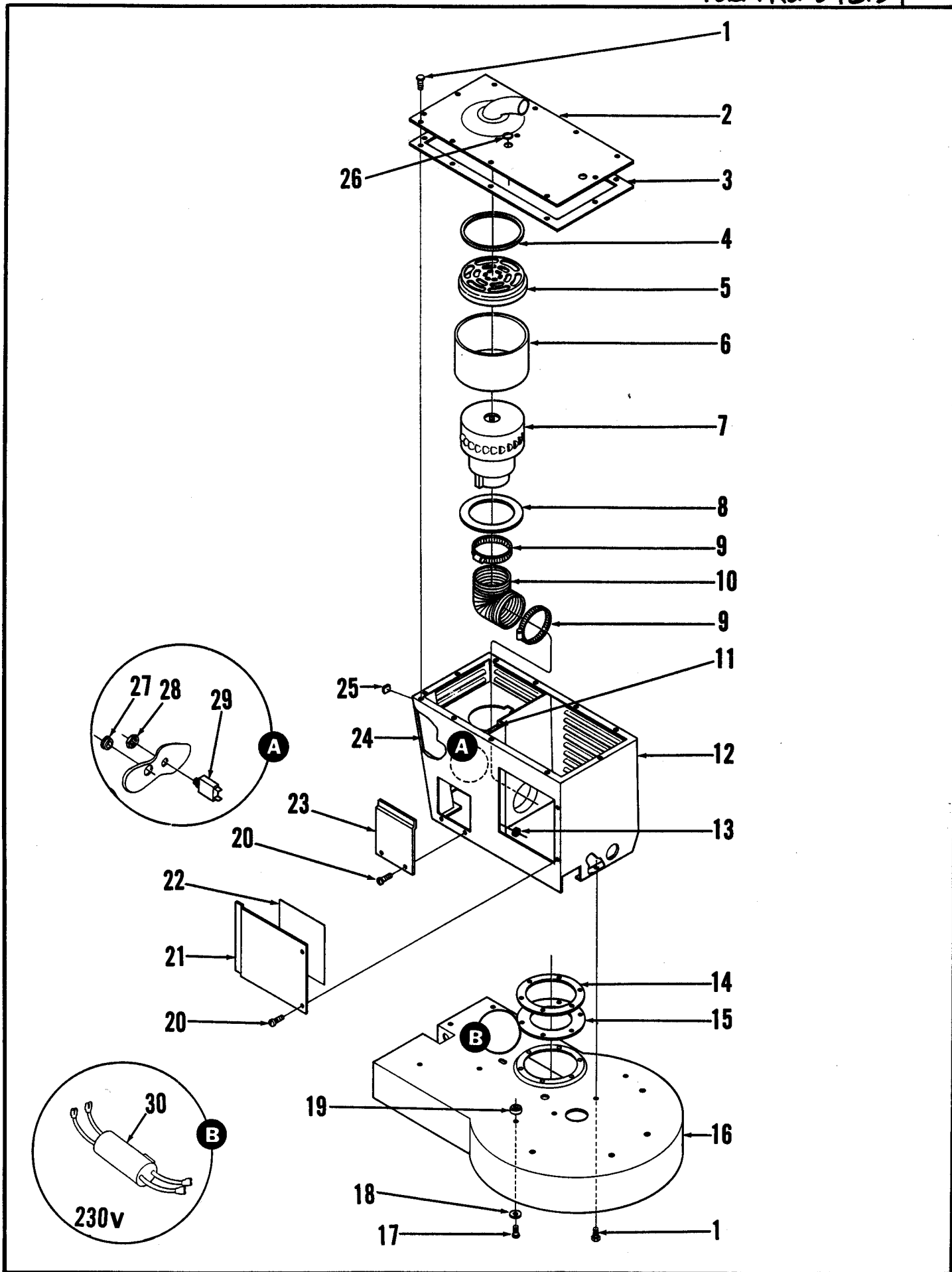
OUTER BODY ASSEMBLY

Item	Part No.	Qty	Description
1	387610	1	Handle Assembly 115V
	387611	1	Handle Assembly 230V
2	387772	1	Cover Assembly
3	387710	1	Recovery Tank Assembly
4	387798	1	Squeegee Assembly 17"
	387804	1	Squeegee Assembly 20"
5		9	Screw, #10-24 x 5/8
6		9	Nut, #10-24
7	397228	2	Wheel
8	387080	1	Bumper 17"
	387514	1	Bumper 20"
9	387364	1	Pad Holder 17"
	387312	1	Brush, Bassine 17"
	387534	1	Brush, Bassine 20"
10	387082	1	Bumper Strap 17"
	387516	1	Bumper Strap 20"
11	387022	1	Base 17"
	387508	1	Base 20" 115V
	387509	1	Base 20" 230V
12	387790	1	Solution Tank



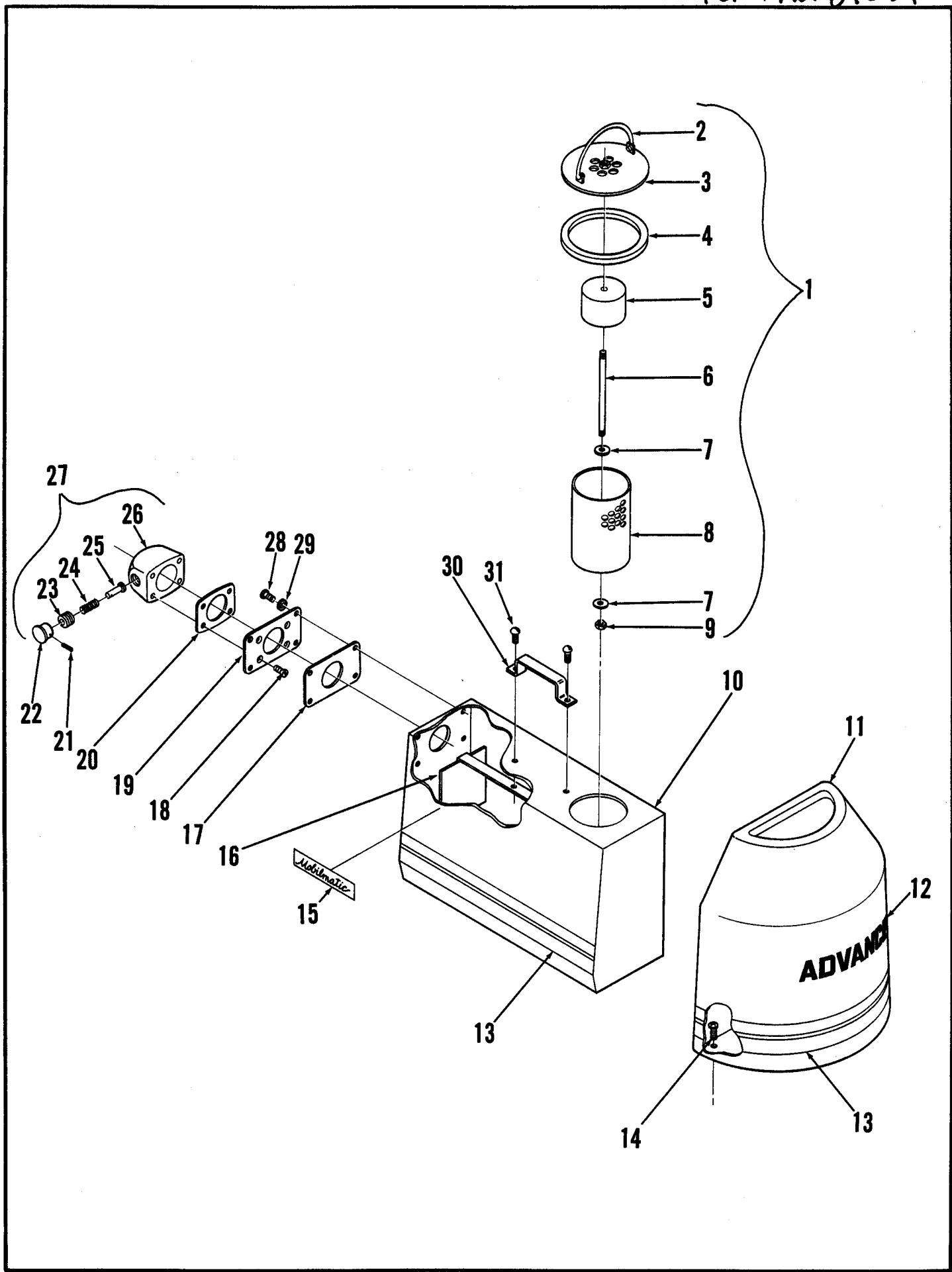
HANDLE ASSEMBLY

Item	Part No.	Qty	Description	Item	Part No.	Qty	Description
1	018314	1	Decal, Warning	53	171095	2	Bearing, Flange
2	387196	1	Shroud, Bottom	54	171097	2	Shoulder Bolt
3		1	Screw, #4-20 x 1/2	55	387382	1	Bracket, Squeegee Lift
4		1	Washer, Shakeproof	56		4	Washer
5	385747	1	Nut Plate	57		2	Washer Shakeproof
6	514085	2	Grip, Handle	58		2	Screw, 5/16-28 x 5/8
7		2	Screw, #6-32 x 3/4	59		12	Screw, #10-24 x 3/8
8		2	Washer, Shakeproof	60	387658	1	Box
9	388019	1	Switch TSB 494 - G11	61	387678	1	Bushing
10	445177	1	Spring	62	387682	1	Hook, Cord
11	234079	1	Screw	63	387684	1	Washer
12		4	Nut, #8-32	64		7	Washer Shakeproof
13	387650	1	Pivot	65	018336	1	Decal, Cord Hook
14		1	Pin, Spring	66	387680	1	Spring
15	387626	1	Lever Assembly, Squeegee	67	172213	1	Hook, Cord
16		1	Washer	68	150150	2	Washer, Spring
17	387638	1	Lever Assembly, Solution	69	151092	2	Bushing
18		1	Screw, #10-24 x 3/16	70	387052	1	Lever, Handle
19	331076	1	Collar	71		1	Screw, #8-32 x 7/8
20	207075	1	Switch 115V	72	387236	1	Tube, Handle
	301636	1	Switch 230V	73	171094	1	Nut
21	387146	1	Spacer	74	171093	1	Washer
22	018324	1	Decal, On-Off	75	109630	1	Strain Relief
23	325140	1	Switch	76	387703	1	Cord Set
24		2	Nut 15/32-32	77	322504	1	Clip, Belt
25	018310	1	Decal, On-Off	78	300187	1	Clip, Belt
26		9	Screw, #8-32 x 1/2	79		1	Screw, #6-32 x 3/4
27	387190	9	Snap Cap	80	301396	1	Strain Relief
28	200190	1	Washer, Fiber	81	382331	1	Cord Set
29	387670	1	Knob	82		2	Screw, #8-32 x 5/8
30	387662	1	Shroud, Top	83		2	Washer, Shakeproof
31	016334	1	Decal, Solution	84		2	Washer
32	387672	1	Screw, Nylon	85	300542	1	Clamp, Cord
33	387668	1	Stud	86		2	Nut, #8-32
34	387620	1	Spacer				
35		1	Nut, 1/4-20				
36		4	Washer				
37	368989	2	Bushing				
38	387656	1	Cable Assembly, Solution				
39		2	Screw, 1/4-20 x 5/8				
40	387378	1	Cable Assembly, Squeegee				
41	387654	1	Cord Assembly				
42	382818	1	Strain Relief				
43	387660	1	Box				
44	387612	1	Handle				
45		1	Screw				
46		6	Screw, 1/4-20 x 7/8				
47	387358	1	Bar				
48	171104	1	Ratchet				
49	171132	1	Plunger				
50	171123	1	Spring				
51	384909	1	Wire Rope Assembly.				
52	171269	1	Bushing				



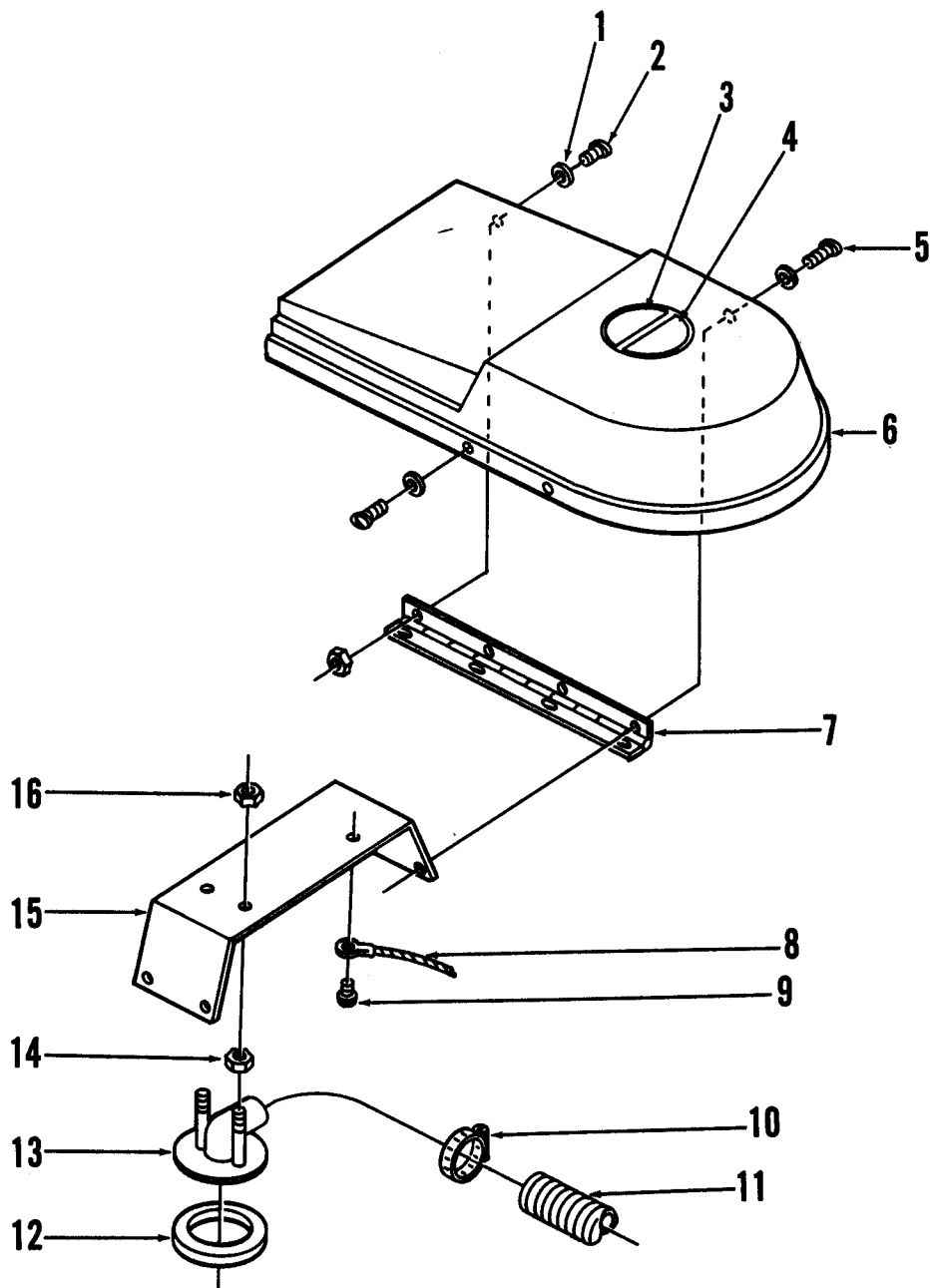
HOUSING ASSEMBLY

Item	Part No.	Qty	Description
1		18	Screw, #10-24 x 3/8
2	387160	1	Cover
3	200754	1	Gasket
4	387460	1	Gasket
5	384898	1	Vacuum Motor Filter
6	387422	1	Foam Filter
7	207195	1	Vacuum Motor 115V
	202290	1	Vacuum Motor 230V
8	387458	1	Gasket
9	352829	2	Hose Clamp
10	387392	1	Flex Hose
11	387200	1	Foam
12	387792	1	Frame
13	157376	1	Grommet
14	387548	1	Ring 20" 115V only
15	387550	1	Gasket 20" 115V only
16	387022	1	Base 17"
	387508	1	Base 20" 115V
	387509	1	Base 20" 230V
17		2	Screw, #10-24 x 5/8
18	203874	2	Washer
19	387250	2	Stud
20		4	Screw, #10-24 x 3/8
21	387114	1	Access Cover
22	018328	1	Wiring Decal 17" 115V
	018330	1	Wiring Decal 20" 115V
	018334	1	Wiring Decal 17" & 20" 230V
23	387394	1	Access Cover
24	387212	1	Foam
25	402940	1	Bumper
26	171369	1	Plug Button
27	382818	1	Strain Relief
28	171541	1	Nut
29	387316	1	Circuit Breaker 17" 115V
	171550	1	Circuit Breaker 20" 115V
	387328	1	Circuit Breaker 17" & 20" 230V
30	387426	1	RFI Filter Assembly 230V only



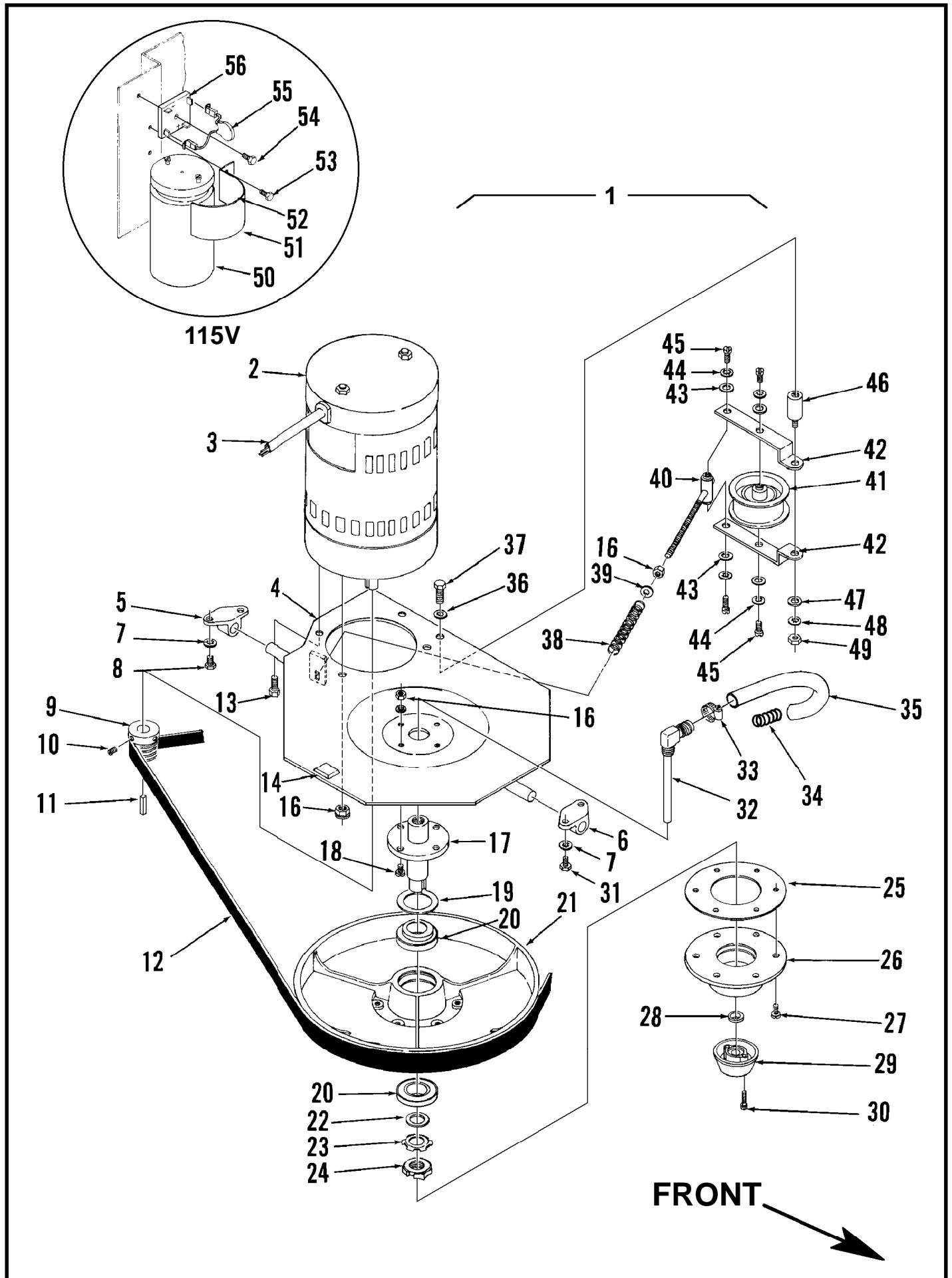
TANK ASSEMBLY

Item	Part No.	Qty	Description
1	387730	1	Float Assembly 115V
	387750	1	Float Assembly 230V
2	387738	1	Handle
3	387740	1	Plate 115V
	387752	1	Plate 230V
4	387268	1	Gasket
5	387398	1	Foam Float
6	387744	1	Rod
7		2	Brass Washer 5/16
8	387732	1	Shield
9		1	Brass Nut, 5/16-18
10	387712	1	Recovery Tank
11	387790	1	Solution Tank
12	016519	1	Decal, Advance
13	023216	2	Decal, Stripe
14		4	Screw, 1/4-20 x 1/2
15	018300	1	Decal, Mobilmatic
16	387714	1	Deflector
17	387722	1	Gasket
18		4	Screw, #10-24 x 1/2
19	387720	1	Plate
20	201390	1	Gasket
21	201472	1	Pin
22	201405	1	Knob
23	201383	1	Socket
24	201448	1	Spring
25	201391	1	Pin
26	201377	1	Connector
27	201386	1	Connector Assembly
28		4	Screw, #10-24 x 3/8
29		4	Shakeproof Washer
30	360791	1	Tank Handle
31		2	Screw, 1/4-20 x 1/2



COVER ASSEMBLY

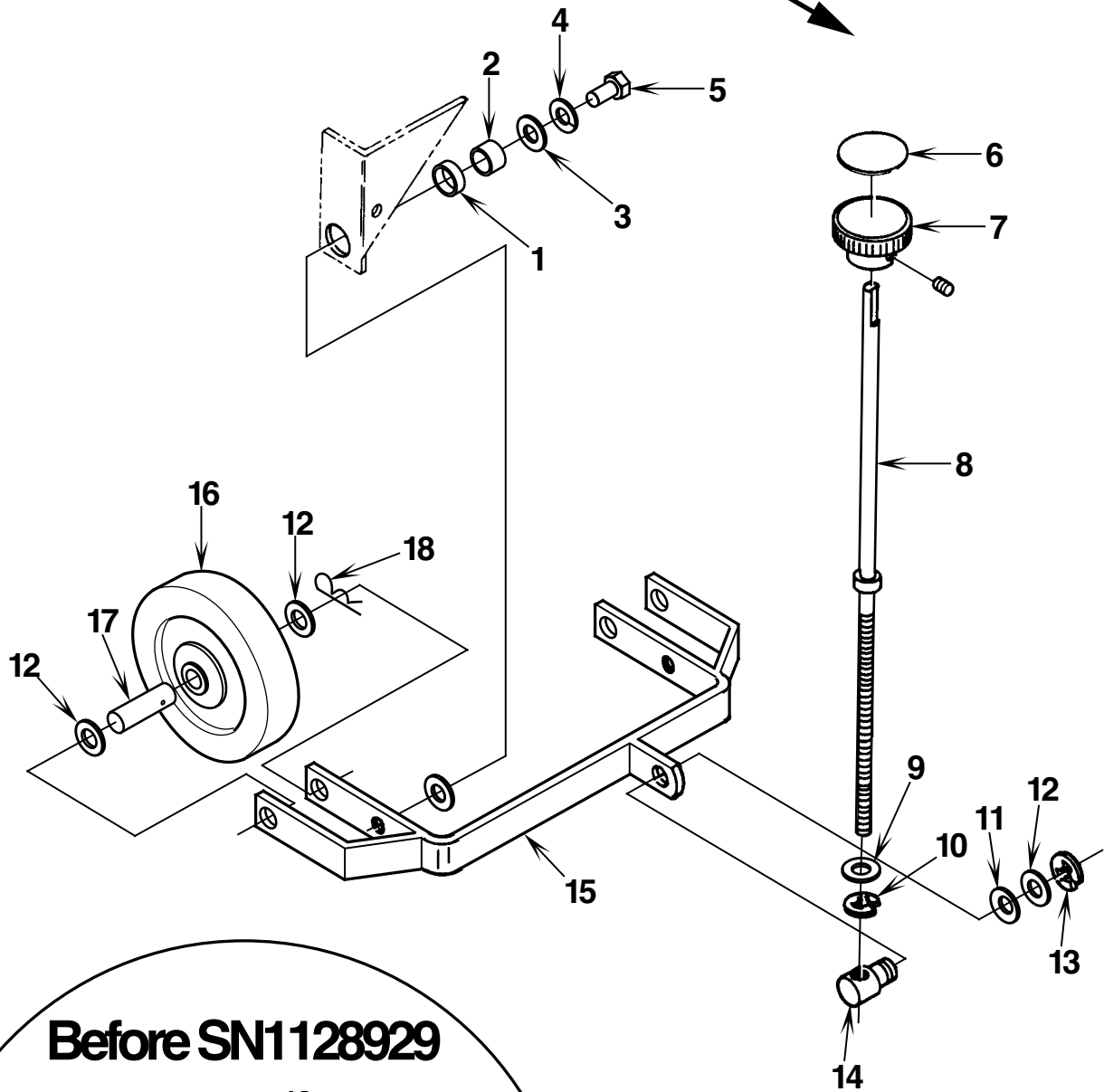
Item	Part No.	Qty	Description
1	449340	6	Finishing Washer #10
2		2	Screw, #10-24 x 1/2
3	016398	1	Decal, Emblem
4	018312	1	Decal, Mobilmatic
5		4	Screw, #10-24 x 3/8
6	387774	1	Cover
7	387786	1	Hinge
8	325240	1	Wire Rope Assembly
9		1	Screw, #10-24 x 3/8
10	329145	1	Hose Clamp
11	387342	1	Vacuum Hose
12	387784	1	Gasket
13	387778	1	Vacuum Tube
14		4	Whiz Nut, 1/4-20
15	387776	1	Cover Support
16		2	Whiz Nut, #10-24



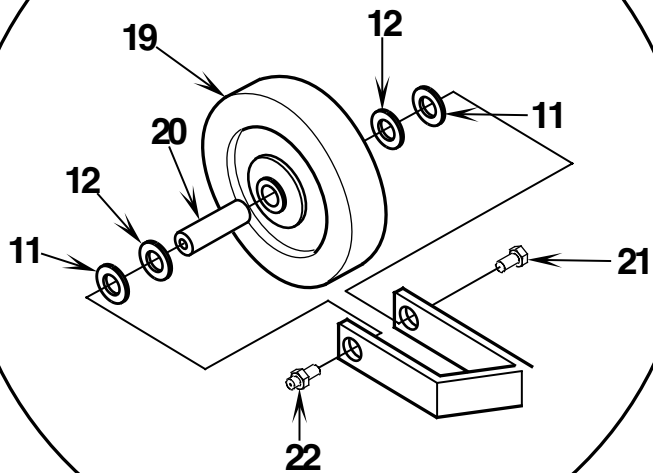
DRIVE ASSEMBLY

Item	Part No.	Qty	Description	Item	Part No.	Qty	Description
1	387272	1	Drive Assembly 17" 115V	37		1	Screw, 3/8 x 3/4
	387273	1	Drive Assembly 17" & 20" 230V	38	171271	1	Spring
	387518	1	Drive Assembly 20" 115V	39		1	Washer, 5/16
2	387001	1	Motor 17" 115V	40	386273	1	Linkage
	387003	1	Motor 17" & 20" 230V	41	171178	1	Idler Assembly 230V
	382138	1	Motor 20" 115V		387566	1	Idler Assembly 115V
3	387812	1	Cord Assembly (except 20" 115V)	42	386290	2	Bracket 115V
	387814	1	Cord Assembly 20" 115V		387574	1	Bracket 230V
4	387090	1	Plate (except 20" 115V)	43		4	Washer, 1/4
	387520	1	Plate 20" 115V	44		4	Shakeproof Washer, #10
5	387304	1	Right Axle Block	45		4	Screw, #10-24 x 5/16
6	387306	1	Left Axle Block	46	387178	1	Stud Spacer
7		4	Shakeproof Washer 1/4	47		1	Washer, 1/4
8		2	Screw, 1/4-20 x 5/8	48		1	Shakeproof Washer, 1/4
9	387542	1	Sheave 20" 115V	49		1	Nut, 1/4-20
	171088	1	Sheave 17" 115V	50	171552	1	Capacitor 20" 115V only
	171414	1	Sheave 17" & 20" 230V	51	385960	1	Clamp 20" 115V only
10		2	Screw, 1/4-20 x 1/4	52	530703	1	Tape 115V only
11	443719	1	Square Key	53		2	Screw, #10-24 x 3/8 115V only
12	171200	1	Belt	54		1	Screw, #10-24 x 5/8 115V only
13	387120	4	Cap Screw, 3/8 x 3/4	55	387554	1	Varistor Assembly 20" 115V only
14		4	Shakeproof Washer, 5/16	56	180162	1	Rectifier 20" 115V only
15	402940	1	Bumper				
16		5	Nut	**	505053	1	Magna Grit™ 46 Brush, 17"
17	387170	1	Stud	**	505052	1	Dyna Grit™ 80 Brush, 17"
18		4	Screw, 5/16-18 x 3/4	**	505080	1	MidLite Grit™ 180 Brush, 17"
19	171078	1	Shaft Seal	**	505084	1	MidGrit™ 240 Brush, 17"
20	378267	2	Bearing	**	505065	1	AgLite™ 500 Brush, 17"
	378259	2	Outer Bearing Race	**	505337	1	Prolene Brush, 17"
21	171376	1	Pulley Assembly	**	505069	1	ProLite™ Brush, 17"
22		1	Washer, 3/4	**	505339	1	Union Mix Brush, 17"
23	387176	1	Lock Washer	**	505335	1	Short-Trim Pad Holder, 17"
24	387174	1	Lock Nut				
25	158275	1	Gasket	**	505057	1	Magna Grit™ 46 Brush, 20"
26	387112	1	Drive Cap TSB 628, G-7	**	505050	1	Dyna Grit™ 80 Brush, 20"
27		6	Screw, #10-24 x .62	**	505081	1	MidLite Grit™ 180 Brush, 20"
28	387018	1	Radial Lip Seal	**	505091	1	MidGrit™ 240 Brush, 20"
29	387116	1	Pilot	**	505068	1	AgLite™ 500 Brush, 20"
30		2	Screw, #10 x 1.00	**	505458	1	Prolene Brush, 20"
31		2	Screw, 1/4-20 x 1/2	**	505075	1	ProLite™ Brush, 20"
32	387066	1	Tube	**	505459	1	Union Mix Brush, 20"
33	219932	1	Hose Clamp	**	505457	1	Short-Trim Pad Holder, 20"
34	387296	1	Spring				
35	387302	1	Hose	** = Not Included			
36		1	Shakeproof Washer, 3/8				

FRONT



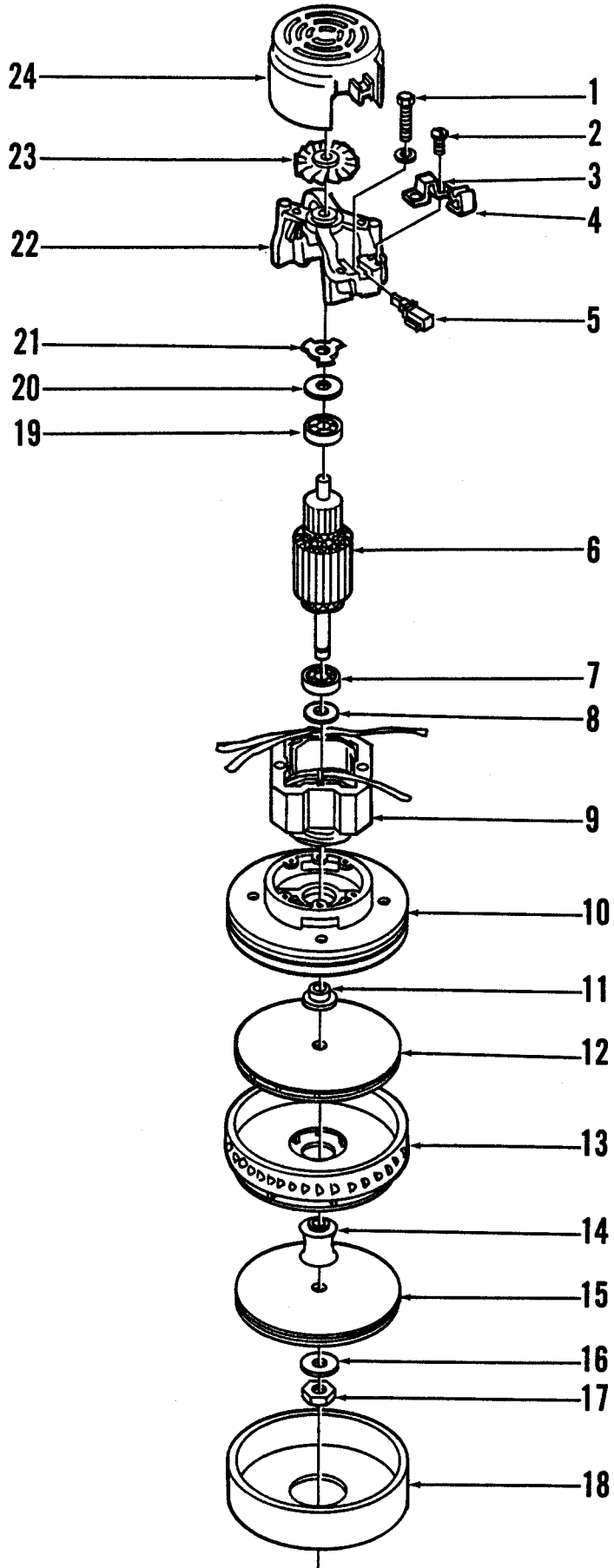
Before SN1128929



REAR WHEEL ASSEMBLY

Item	Part No.	Qty	Description
1	478781	2	Bearing Sleeve
2	360627	2	Bushing
3	367214	4	Washer
4		4	Lock Washer, 1/2
5		2	Screw, 1/2-13 x 1.00
6	018306	1	Decal
7	475480	1	Adjustment Knob
8	387218	1	Adjustment Rod
9		1	Washer, 3/8
10	321427	1	Retaining Ring
11	155373	1	Spring Washer (qty of 5 before SN1128929)
12	001879	4	Washer, 1/2
13	368834	1	Retaining Ring
14	387138	1	Pin
15	387050	1	Wheel Adjust Bracket NOTE
16	161691	2	Wheel (after SN1128928)
17	387002	2	Pin (after SN1128928)
18	003222	2	Pin, Cotter Hair (after SN1128928)
19	387228	2	Wheel (before SN1128929)
20	387046	2	Axle (before SN1128929)
21	002922	2	Scr, Hex Loc 1/4-20 x .62 (before SN1128929)
22	101737	2	Fitting, Lube (before SN1128929)

NOTE: This part has been changed on all machines after SN1128928 even though the part number remains the same. If you order this part for a machine before SN1128929 you will also need to order items 16, 17 & 18 and assemble as shown.

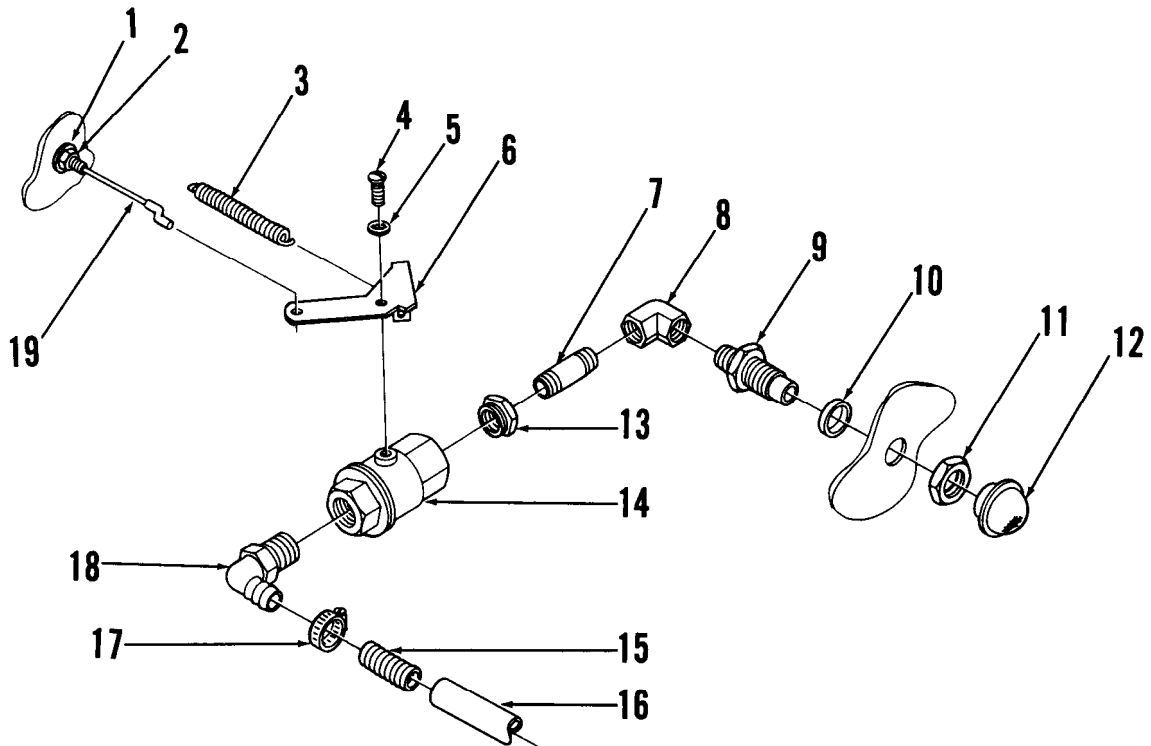


VACUUM MOTOR ASSEMBLY

Item	Part No.	Qty	Description
1	203494	2	Screw (230V)
	203601	2	Screw (115V)
2	203263	4	Screw
3	207285	2	Clamp (230V)
	208132	2	Clamp (115V)
4	202302	2	Clip (230V)
5	203518	2	Brush Mechanism (230V)
	207225	2	Brush Mechanism (115V)
6	202308	1	Armature (230V)
	207199	1	Armature (115V)
7	228051	1	Bearing
8	202330	1	Neoprene Washer
9	208090	1	Field (230V)
	207201	1	Field (115V)
10	202332	1	Fan End Bracket (230V)
	208183	1	Bracket Bearing Clamp (115V)
11	203424	1	Spacer
12	208191	1	Fan, Rotating
13	203328	1	Fan, Stationary (230V)
	203394	1	Fan, Stationary (115V)
14	203516	1	Spacer
15	202328	1	Fan, Rotating (230V)
	208191	1	Fan, Rotating (115V)
16	203432	1	Washer (230V)
	203416	1	Washer (115V)
17	203440	1	Nut
18	202326	1	Fan Shell (230V)
	203408	1	Fan Shell (115V)
19	203587	1	Bearing (230V)
	228051	1	Bearing (115V)
20	203238	1	Disc (230V)
	203513	1	Disc (115V)
21	202843	1	Load Spring
22	202306	1	Bracket, Comm. End (230V)
	208140	1	Bracket, Comm. End (115V)
23	203591	1	Fan (230V)
	203589	1	Fan (115V)
24	202300	1	Shell (230V)
	208108	1	Shell (115V)

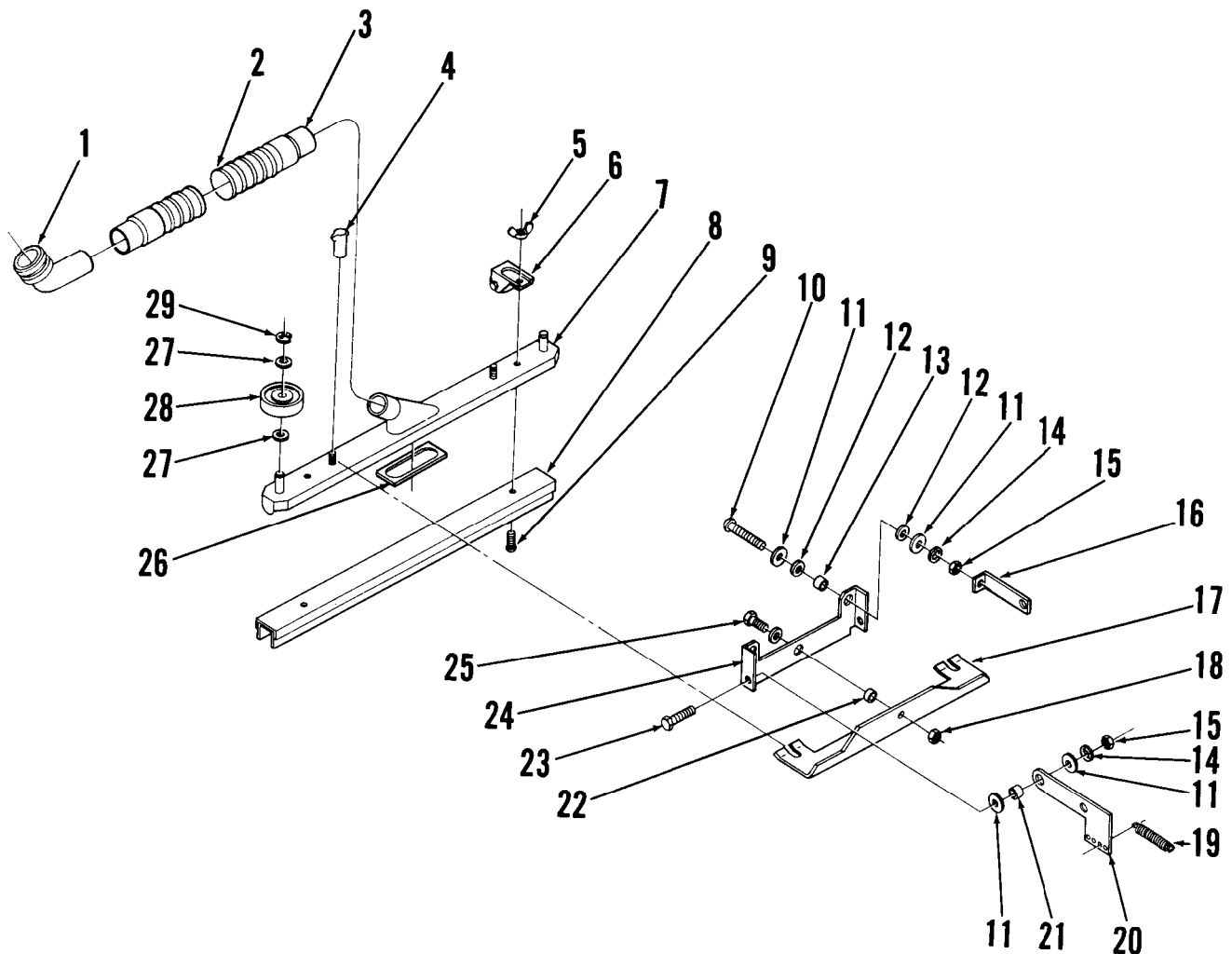
SOLUTION VALVE ASSEMBLY

Item	Part No.	Qty	Description
1		2	Washer
2		2	Nut, 5/16-18
3	245008	1	Spring
4		1	Screw #10-24 x 5/8
5		1	Washer, Shakeproof
6	387781	1	Lever
7	369624	1	Nipple
8	340782	1	Elbow
9	172075	1	Nipple
10	742552	1	O-Ring
11	745860	1	Nut, Brass
12	172096	1	Strainer
13	742170	1	Bushing
14	387779	1	Valve
15	373686	1	Spring
16	387302	1	Tube
17	219932	1	Clamp, Hose
18	387067	1	Adapter, Hose
19	387656	1	Cable Assembly



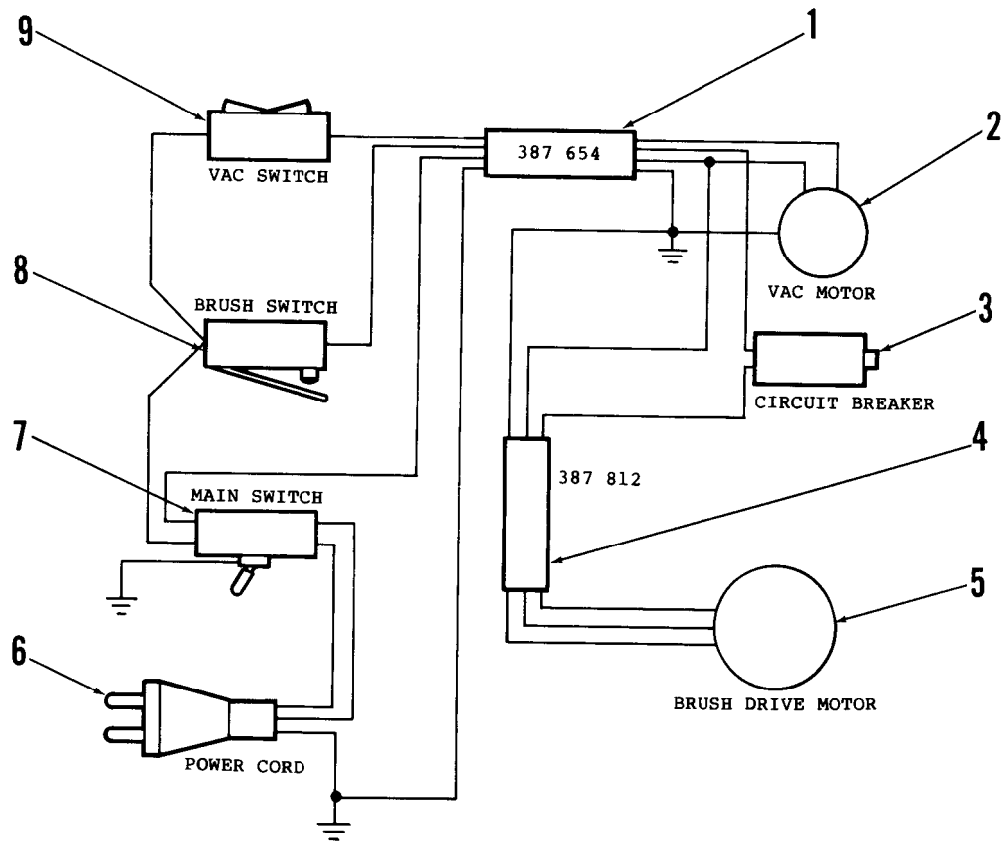
SQUEEGEE ASSEMBLY

Item	Part No.	Qty	Description	Item	Part No.	Qty	Description
1	370592	1	Hose	15		4	Nut, 1/4-20
2	387816	1	Hose	16	381845	2	Adjusting Arm
3	207306	2	Hose Cuff	17	381814	1	Squeeggee Mount
4	370711	2	Thumb Nut	18	469021	1	Nut
5		2	Wing Nut	19	371874	2	Spring
6	387376	2	Roller Assembly	20	381840	2	Pivot Arm
7	387800	1	Channel 17"	21	368997	2	Bushing
	387806	1	Channel 20"	22	381818	1	Bushing
8	382356	1	Squeeggee Cartridge 17" TSB 590 - G8	23		2	Screw, 1/4-20 x 5/8
	387526	1	Squeeggee Cartridge 20" TSB 590 - G8	24	381816	1	Bracket
9		2	Screw	*	387380	1	Half Clevis
10		2	Screw, 1/4-20 x 2-1/4	25		1	Bolt, 5/16-18 x 3/4
11	150142	8	Washer	26	400613	1	Gasket
12	163880	4	Spring Washer	27	371009	4	Washer
13	206784	2	Bushing	28	363855	2	Bumper Wheel
14		4	Shakeproof Washer	29	157066	2	Retaining Ring



WIRING DIAGRAM 17" 115V

Item	Part No.	Qty	Description
1	387654	1	Cord Assembly
2	207195	1	Vacuum Motor
3	387316	1	Circuit Breaker
4	387812	1	Cord Assembly
5	387001	1	Brush Drive Motor
6	387703	1	Cord Set
7	207075	1	Main Switch
8	388019	1	Brush Switch
9	525140	1	Vacuum Switch



WIRING DIAGRAM 230V

Item	Part No.	Qty	Description
1	387654	1	Cord Assembly
2	387426	1	Filter Assembly
3	202290	1	Vacuum Motor
4	387328	1	Circuit Breaker
5	387812	1	Cord Assembly
6	387003	1	Brush Drive Motor
7	382331	1	Cord Set
8	301636	1	Main Switch
9	388019	1	Brush Switch
10	325140	1	Vacuum Switch

